



HAWK TRAILERS

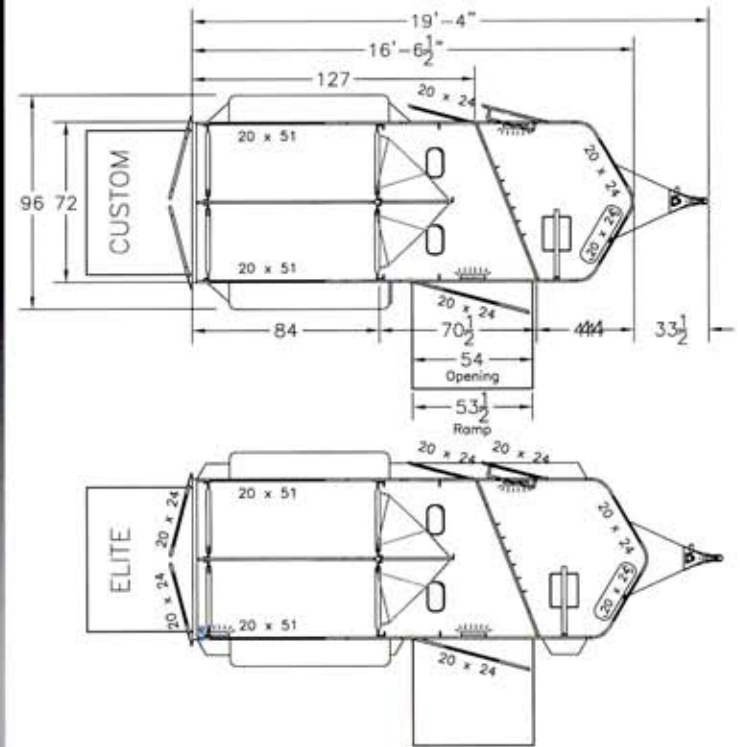
2 Horse Bumper Pull Walk Thru Dress/side unload ramp

	w/dress Custom	w/dress Elite	w/dress Classic Custom	w/dress Classic Elite
Overall Length	19'4"	19'4"	19'10"	19'10"
Width	72" wd	72" wd	80" wd	80" wd
Stall Length	7'	7'	7'6"	7'6"
Inside Height	7'6"	7'6"	7'8"	7'8"
2-5/16" wedge lock coupler	S	S	S	S
Sidewind Jack w/sandfoot in coupler Elite only dollywheel	S	S	S	S
Axle Capacity 7000# w/4 wheel electric brakes	S	S	S	S
ST22575R15(C) Radial Silver rims, Elite Aluminum rims	S	S	S	S
Spare Tire & rim mounted inside no cover	S	S	S	S
Front wedge w/20x24 wdws	S	S	S	S
Side Unload Ramp, 54" w/upper storm door w/20x24 wdw DS	S	S	S	S
20x24 wdw in dress door	O	S	O	S
20x24 wdw in walk thru door	S	S	S	S
20x24 wdw at horse head area	n/a	n/a	O	S
Storm doors & stainless steel cam latches	S	S	S	S
Storm door windows 20x24	O	S	O	S
Sidewall wdw 20x51 (1) each side	S	S	S	S
Carpet on floor in dress	S	S	S	S
Carpet on bulkhead wall	O	S	O	S
Saddle racks	2	2	2	2
Bridle hook set bolt on (6) aluminum	S	S	S	S
Door tie backs on all doors	S	S	S	S
Aluminum running boards	O	S	O	S
Diamond plate on steps, & tongue	S	S	S	S
Diamond plate on fenders half, full length Elite only	S	S	S	S
Diamond plate on nose, 18" high	O	S	O	S
Rubberline sidewalls	S	S	S	S
Breast/butt bar pads	O	S	O	S
Divider & sidewall pads	1"	2"	1"	2"
Rear header pad	S	S	S	S
Floor mats 5/8"	S	S	S	S
Roof vents	2	2	2	2
Brush tray on dress door	S	S	S	S
Triangle feed bags (1) each stall	S	S	S	S
Interior head ties (3) per stall	S	S	S	S
Exterior head ties (1) per horse	S	S	S	S
Fuse block	S	S	S	S
Dome lights	2	3	2	3
D.O.T Lighting	S	S	S	S
Empty trailer weight	3700 lbs		3880 lbs	
Limited warranty on all products. See dealer for details.	5yr	7yr	5yr	7yr

HAWK TRAILERS RESERVES THE RIGHT TO CHANGE SPECIFICATIONS AND PRICES WITHOUT NOTICE

EFFECTIVE 2009

2-Horse Bumper Pull with Dress with 54" Side Unload Ramp



2-Horse Bumper Pull with Dress Classic with 54" Side Unload Ramp

